



**MIX S.r.l.**  
MIXING SYSTEMS AND  
COMPONENTS FOR PLANTS

[www.mixitaly.com](http://www.mixitaly.com)

# Filtering Division

SKYFILTER®



 ATEX-RATED PRODUCTS AVAILABLE

# Quality and Innovation

## AIR POLLUTION

Air pollution, with dusts emitted into the atmosphere, causes detrimental effects to people and things.

## SOCIAL ENGAGEMENT

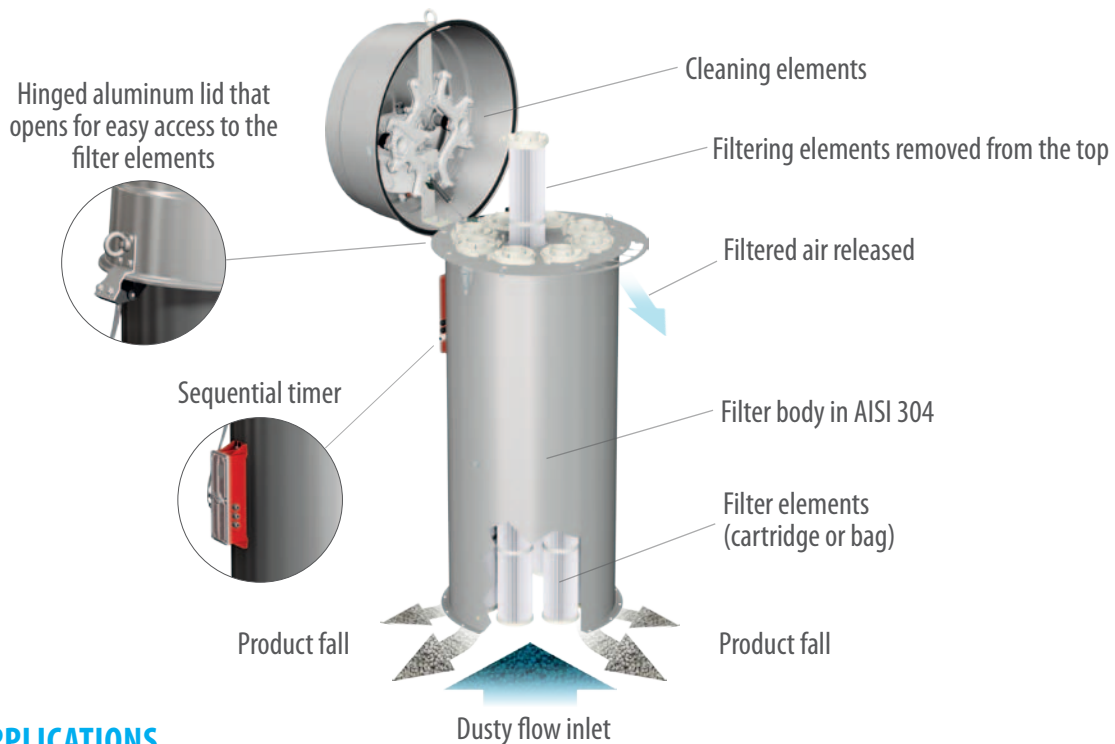
Technological progress and environmental protection, job and health, economy and ecology must proceed hand in hand; a need for the present, and a commitment for the next future.

## MIX SRL PRODUCTS AND SOLUTIONS

MIX Srl has newly designed a complete series of compact filters with a round housing design and a bigger filtering surface; the easy opening design of the cover helps the access to the filtering units and to the pulse jet cleaning system.

## Purpose

Dust collectors separate the dust from the air in a flow of dusty air. The dust is retained on the outside of the filtering elements, while the air passes through and is dedusted. The dust held inside the filter falls into the container below, while the clean air is released. The separation of dust from the air is never absolute: the dust collector reduce its concentration bringing it back to levels compliant with current standards.

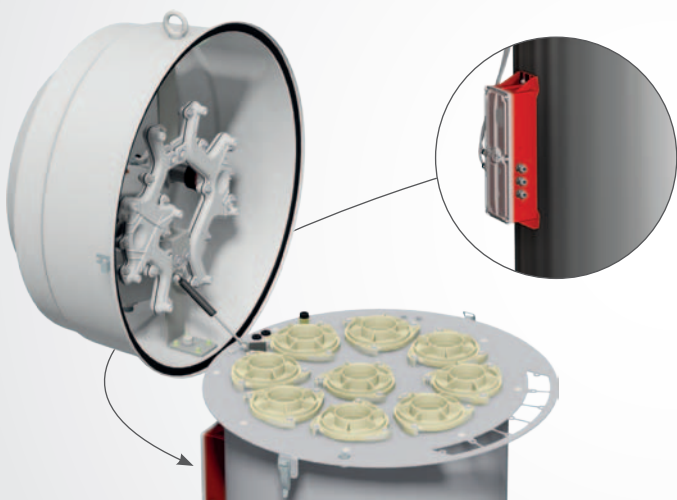


## COMMON APPLICATIONS

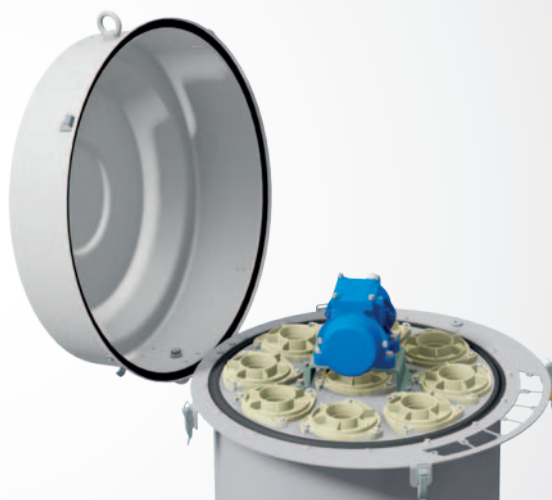


# Features

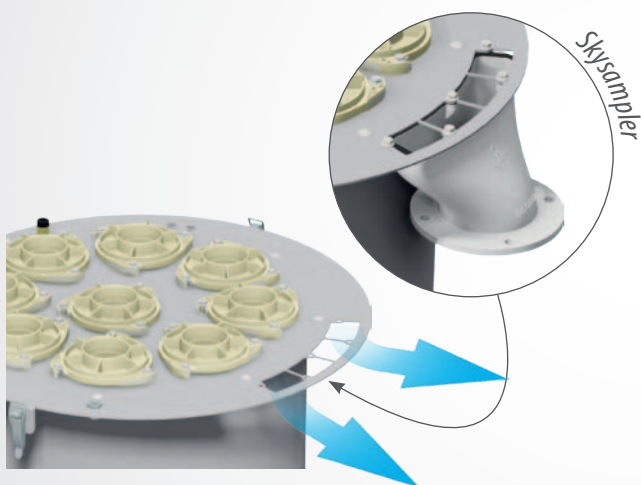
## REVERSE AIR JET PNEUMATIC CLEANING with MIX sequencer



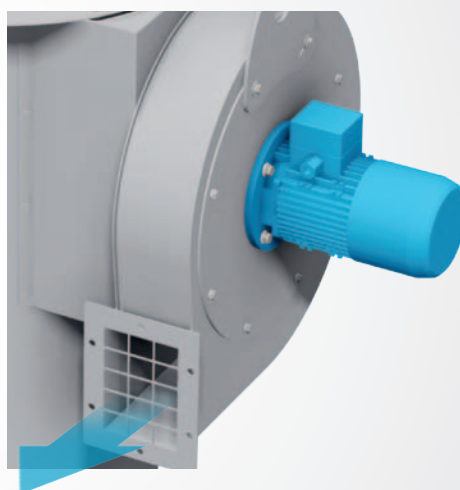
## VIBRATION CLEANING



## FREE DISCHARGE INTO ATMOSPHERE or conveyed via Skysampler connection (optional)



## FAN ASSISTED DISCHARGE



## CARTRIDGE FILTER ELEMENTS



## BAG FILTER ELEMENTS





# Fabric filter element

## PREMIUM POLYESTER



### "THERMAL BONDED TNT MATERIAL

- Emission <math><1 \text{ mg} / \text{Nm}^3</math>
  - NB: Obtainable after application analysis (minimum product particle size / filtration rate / can velocity)
  - Antistatic treatment available
  - Lifetime: up to 20,000 operating hours
  - Cleanable by water wash
  - Classification: **M** according to BGIA test
  - Weight:  $260 \text{ g} / \text{m}^2$
  - Air permeability:  $280 \text{ m}^3 / \text{m}^2 \text{ h}$  (200Pa)
  - Low pressure drops: <math><700 \text{ Pa}</math> (70 mm H<sub>2</sub>O)
  - Low melting point heat-bonded synthetic fibers (Fig. 1)
  - Homogeneous surface (Fig. 2) which increases the mechanical resistance
- NB: The commercial cartridges available on the market are produced with stitch-welded fabrics (Fig.3-4) which reduce the real filtering surface by up to 35% (Fig.5) "

## TNT USED BY MIX PRODUCED BY FREUDENBERG



Fig.01 Standard 1.000  $\mu\text{m}$

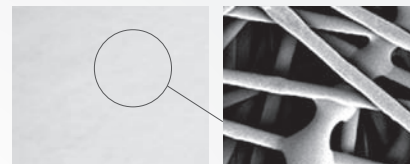


Fig.02 (smooth surface) Zoom heat sealing

## HIGH PERMEABILITY POLYESTER



### THERMAL BONDED TNT MATERIAL

- Emission <math><20 \text{ mg} / \text{Nm}^3</math>
  - NB: Obtainable after application analysis (minimum product particle size / filtration rate / can velocity)
  - Lifetime: up to 30,000 operating hours
  - Cleanable by water wash
  - Classification: **L** according to BGIA test
  - Weight:  $250 \text{ g} / \text{m}^2$
  - Air permeability:  $3400 \text{ m}^3 / \text{m}^2 \text{ h}$  (200Pa)
  - Low pressure drops: <math><700 \text{ Pa}</math> (70 mm H<sub>2</sub>O)
  - Less cleaning cycles required
  - Low melting point heat-bonded synthetic fibers (Fig. 1)
  - Homogeneous surface (Fig. 2) which increases the mechanical resistance
- NB: The commercial cartridges available on the market are produced with stitch-welded fabrics (Fig.3-4) which reduce the real filtering surface by up to 35% (Fig.5)

## OTHERS FABRICS

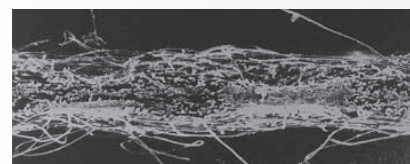


Fig.03 Standard 1.000  $\mu\text{m}$

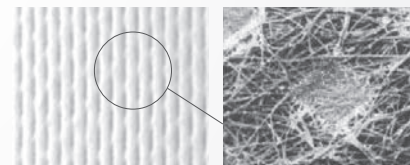


Fig.04 (spot welded surface) Zoom spot welding

On request other types of polyester

## NEELED FELT



### POLYESTER NEEDLE FELT MATERIAL

- Emission <math><5 \text{ mg} / \text{Nm}^3</math>
- NB: Obtainable only with specific types of tissues and after application analysis (minimum product particle size / filtration rate / rate of ascent)
- Different surface treatments available (antistatic / teflon coating / heat-sealed membrane)
- Cleanable by water wash
- Classification: L or M according to BGIA test
- Weight:  $450 \text{ g} / \text{m}^2$  or higher
- Antistaticity obtained with stainless steel fibers (Fig. 5)
- Can be installed on galvanized carbon steel cages or, on request, in stainless steel

## ANTISTATIC FABRIC

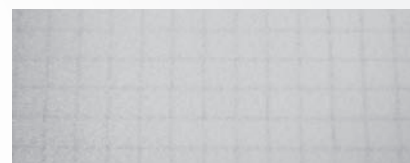
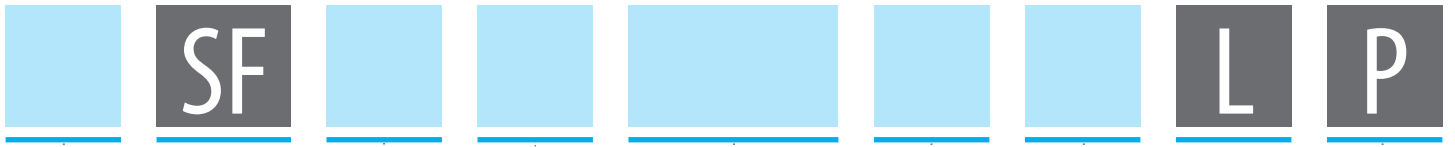


Fig.05

CARTRIDGE

BAG

# Combination table



## Identification

/: Standard  
A: Atex

## Nominal Filtering Surface

(see Tav.01 e Tav.02)

## Cleaning system voltage

**SFA:** 230/400V 50Hz IP65  
**.-SFC - SFL:** 24V AC/DC - 115/230V AC

## Type

- A:** Cartridge with vibration cleaning (extraction from the top)
- C:** Cartridge with pulse jet cleaning (extraction from the top)\*
- L:** Bag with pulse jet cleaning (extraction from the top)\*

\* Extraction from the hatch on request

Fig.01

## Air Outlet Type

- A:** Free discharge into atmosphere
- V:** Fan assisted discharge

Fig.02

## Material of construction

Central body in AISI 304, cover in aluminium, electro-fan painted mild steel (if any)

- 2:** Other parts in contact with product in AISI 304
- 5:** Other parts in contact with product in zinc plated mild steel

Filtering media		
SFA.	.-SFC.	.-SFL.
<b>A:</b> Premium Polyester	<b>A:</b> Premium Polyester	<b>A:</b> Polyester (450 g/m <sup>2</sup> )
<b>E:</b> Vibro Polyester	<b>B:</b> Antistatic Premium - Polyester	<b>B:</b> Antistatic Polyester (450 g/m <sup>2</sup> )
<b>P:</b> Polyester	<b>P:</b> Polyester	* Other tissues available on request
<b>G:</b> High permeability polyester - SKYFILTER®	<b>J:</b> Water-Oil Repellent	
<b>M:</b> Plus Polyester	<b>G:</b> High permeability polyester - SKYFILTER®	
	<b>M:</b> Plus Polyester	

Fig.01



Fig.02



**SFA** type filter, with cartridge extraction from above, vibration cleaning system, free discharge into the atmosphere (**SFAA**) or complete with fan (**SFAV**)

**SFC** type filter, with cartridge extraction from the top, jet pulse pneumatic cleaning system, free discharge into the atmosphere (**SFCA**) or complete with fan (**SFCV**)

**SFL** type filter, with bag extraction from the top, jet pulse pneumatic cleaning system, free discharge into the atmosphere (**SFLA**) or complete with fan (**SFLV**)

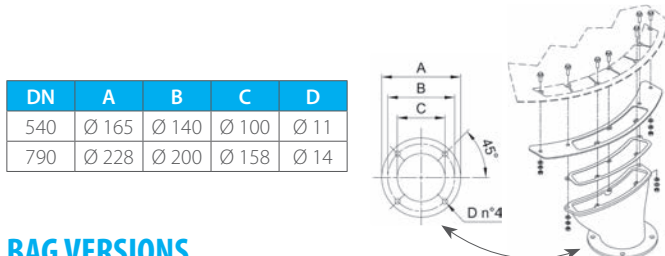
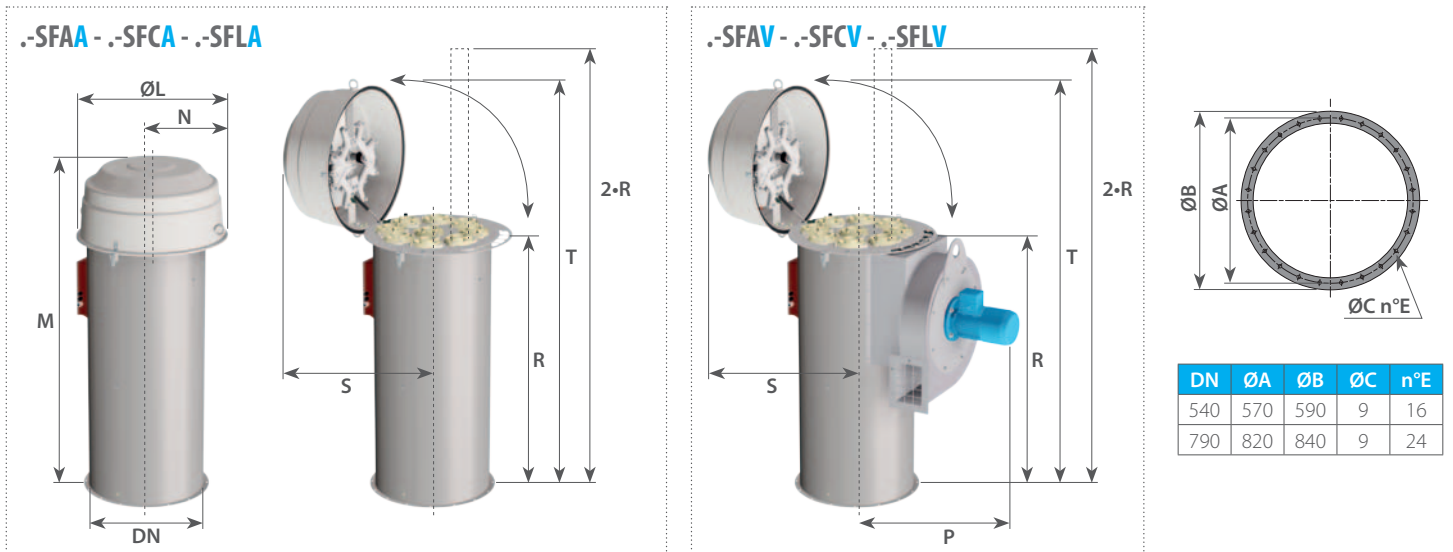


# Dimensions

## CARTRIDGE VERSIONS

Tav.01

TYPE	kg	TYPE	kg	m <sup>2</sup>	Filter elements	DN	ØL	M	N	P	R	S	T	kW
SFAA090..LP	34	/	/	9	A - E - P	540	685	810	345	/	575	850	1255	/
SFAA115..LP	39	SFAV115..LP	87	11,5	A - E - P	540	685	935	345	780	700	850	1380	1,5
SFAA160..LP	45	SFAV160..LP	93	16	A - E - P	540	685	1205	345	780	970	850	1650	1,5
SFAA200..LP	51	SFAV200..LP	101	20	A - E - P	540	685	1455	345	805	1220	850	1900	2,2
SFAA270..LP	51	SFAV270..LP	119	27	G - M	540	685	1455	345	855	1220	850	1900	3
-.SFCA075..LP	35	/	/	7,5	A - B - P - J	540	685	900	345	/	575	695	1255	/
-.SFCA100..LP	40	-.SFCV100..L	88	10	A - B - P - J	540	685	1025	345	780	700	695	1380	1,5
-.SFCA105..LP	35	/	/	10,5	G - M	540	685	900	345	/	575	695	1255	/
-.SFCA140..LP	40	-.SFCV140..L	88	14	G - M	540	685	1025	345	780	700	695	1380	1,5
-.SFCA142..LP	46	-.SFCV142..L	94	14,2	A - B - P - J	540	685	1295	345	780	970	695	1650	1,5
-.SFCA180..LP	51	-.SFCV180..L	101	18	A - B - P - J	540	685	1545	345	805	1220	695	1900	2,2
-.SFCA190..LP	46	-.SFCV190..L	96	19	G - M	540	685	1295	345	805	970	695	1650	2,2
-.SFCA200..LP	54	-.SFCV200..L	104	20	A - B - P - J	540	685	1545	345	805	1220	695	1900	2,2
-.SFCA240..LP	51	-.SFCV240..L	119	24	G - M	540	685	1545	345	855	1220	695	1900	3
-.SFCA270..LP	54	-.SFCV270..L	122	27	G - M	540	685	1545	345	855	1220	695	1900	3
-.SFCA280..LP	94	-.SFCV280..L	172	28	A - B - P - J	790	965	1270	525	1010	970	825	1915	3
-.SFCA350..LP	107	-.SFCV350..L	190	35	A - B - P - J	790	965	1520	525	1035	1220	825	2165	4
-.SFCA380..LP	94	-.SFCV380..L	205	38	G - M	790	965	1270	525	1205	970	825	1915	5,5
-.SFCA440..LP	117	-.SFCV440..L	228	44	A - B - P - J	790	965	1520	525	1205	1220	825	2165	5,5
-.SFCA480..LP	107	-.SFCV480..L	225	48	G - M	790	965	1520	525	1245	1220	825	2165	7,5
-.SFCA600..LP	117	-.SFCV600..L	325	60	G - M	790	965	1520	525	1290	1220	825	2165	11



SKYSAMPLER (OPTIONAL)			
	DN	Mounted to the filter	Delivered unassembled (complete with gasket and bolts)
	540	SKS100C8B	SKS100C8A
	790	SKS168D8B	SKS168D8A

## BAG VERSIONS

Tav.02

TYPE	kg	TYPE	kg	m <sup>2</sup>	Filtering Elements	DN	ØL	M	N	P	R	S	T	kW
-.SFLA020..LP	38	-.SFLV020..L	76	2	A - B	540	685	1025	345	755	700	695	1380	0,75
-.SFLA030..LP	43	-.SFLV030..L	81	3	A - B	540	685	1295	345	755	970	695	1650	0,75
-.SFLA040..LP	49	-.SFLV040..L	97	4	A - B	540	685	1545	345	780	1220	695	1900	1,5
-.SFLA046..LP	78	-.SFLV046..L	136	4,6	A - B	790	965	1000	525	935	700	825	1645	1,5
-.SFLA048..LP	55	-.SFLV048..L	103	4,8	A - B	540	685	1775	345	780	1450	695	2130	1,5
-.SFLA070..LP	92	-.SFLV070..L	150	7	A - B	790	965	1270	525	935	970	825	1915	1,5
-.SFLA090..LP	106	-.SFLV090..L	164	9	A - B	790	965	1520	525	935	1220	825	2165	1,5
-.SFLA110..LP	120	-.SFLV110..L	180	11	A - B	790	965	1750	525	960	1450	825	2395	2,2
-.SFLA135..LP	150	-.SFLV135..L	210	13,5	A - B	790	965	2100	525	960	1800	825	2745	2,2

# Hopper compatibility

FILTER	HOPPER				FILTER	HOPPER			
	N-SFTEF10C1H.N	N-SFTEF20D1H.N	N-SFTEF22EAH.N	N-SFTEF22ECH.N		N-SFTEF10C1H.N	N-SFTEF20D1H.N	N-SFTEF22EAH.N	N-SFTEF22ECH.N

## CARTRIDGE VERSIONS

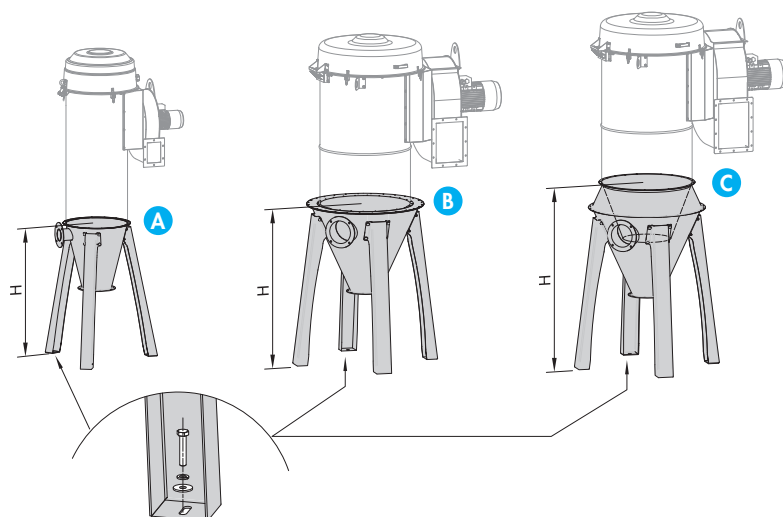
SFAA090.	✓				/				
SFAA115.	✓				SFAV115.	✓			
SFAA160.	✓				SFAV160.	✓			
SFAA200.	✓				SFAV200.	✓			
SFAA270.	✓				SFAV270.	✓			
-.SFCA075.	✓				/				
-.SFCA100.	✓				-.SFCV100.	✓			
-.SFCA105.	✓				/				
-.SFCA140.	✓				-.SFCV140.	✓			
-.SFCA142.	✓				-.SFCV142.	✓			
-.SFCA180.	✓				-.SFCV180.	✓			
-.SFCA190.	✓				-.SFCV190.	✓			
-.SFCA200.	✓				-.SFCV200.	✓			
-.SFCA240.	✓				-.SFCV240.	✓			
-.SFCA270.	✓				-.SFCV270.	✓			
-.SFCA280.		✓			-.SFCV280.		✓		
-.SFCA350.		✓			-.SFCV350.		✓		
-.SFCA380.			✓		-.SFCV380.			✓	
-.SFCA440.			✓		-.SFCV440.			✓	
-.SFCA480.			✓		-.SFCV480.			✓	
-.SFCA600.				✓	-.SFCV600.				✓

## BAG VERSIONS

-.SFLA020.	✓				-.SFLV020.	✓			
-.SFLA030.	✓				-.SFLV030.	✓			
-.SFLA040.	✓				-.SFLV040.	✓			
-.SFLA046.		✓			-.SFLV046.		✓		
-.SFLA048.	✓				-.SFLV048.	✓			
-.SFLA070.		✓			-.SFLV070.		✓		
-.SFLA090.		✓			-.SFLV090.		✓		
-.SFLA110.		✓			-.SFLV110.		✓		
-.SFLA135.		✓			-.SFLV135.		✓		

## TABLE OF TYPES

Rif.	TYPE	H (mm)
A	N-SFTEF10C1H.N	1207
	N-SFTEF20D1H.N	1349
B	N-SFTEF22EAH.N	1408
C	N-SFTEF22ECH.N	1628



For more information see the Accessories filters catalogue

# Combination table DN 950



**Identification**

**N:** Standard  
**A:** Atex

**SKY series**

**Filtering elements**

**L:** Bag DN120 (fig.04)

**Housing diameter**

**5:** DN 950

**Nominal filtering surface**

See specific data sheet  
Example  
**B16:** 16 mq

**Filtering elements extraction**

E	F
fig.01	fig.02

**Air Outlet Type**

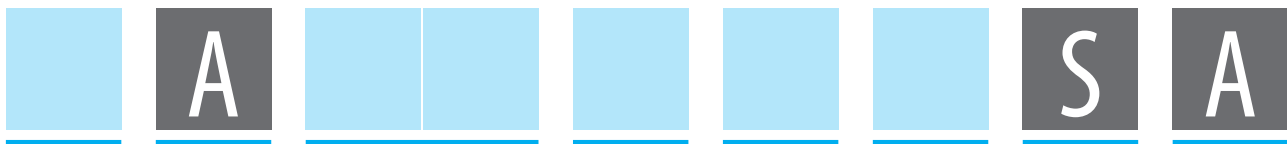
**A:** free discharge to atmosphere (fig.05)  
**H:** unload with Electric fan (fig.06)  
**M:** Unload with Electric fan with Electrical panel

**Operating Condition:**

Atmospheric







**Review**

Tipo	Potenza motore ventilatore
E	1,5 kW
G	2,2 kW
Z	Senza Ventilatore

**Finishing**

**Sequencer Voltage**

- 6: (24V AC/DC - 115/230V AC)
- 8: (24V AC/DC - 115/230V AC) with pressure differential



**Structural frame manufacturing material**

- 1: Central body in carbon steel painted, aluminum cover, zinc plated carbon steel disc
- 2: Parts in contact with product in AISI 304
- 5: Central and upper housing in AISI 304, Carbon Steel or Aluminium cover, galvanised Carbon Steel dish



**Fan motor voltage**

- Z: Without electric fan
- 1: 400V, 50Hz three-phased
- 2: 460V, 60Hz three-phased
- 3: 380V, 60Hz three-phased

**Filtering fabric features**

**BAG FABRICS** - Polyester needle felt

Type	g/m <sup>2</sup>	Antistatic	Diaphragm	Notes
13	450	/	/	/
14	450	✓	/	Stainless steel fibres
16	550	/	/	/
17	470	/	✓	Polyurethane diaphragm 15
18	550	✓	/	Teflon-coated Stainless steel fibres
19	550	/	✓	PTFE diaphragm 3
20	450	/	/	Teflon-coated
21	550	/	/	Teflon-coated
22	550	✓	/	Stainless steel fibres
23	500	✓	✓	Stainless steel fibres - PTFE diaphragm 3
24	500	/	✓	PTFE diaphragm 5
25	500	✓	✓	Stainless steel fibres - PTFE diaphragm 5

**Packing unit**

- A: Vertical on pallet fully assembled



# Dimensions

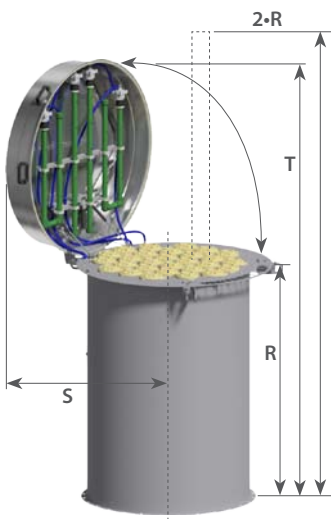
DN 950


Tav.02

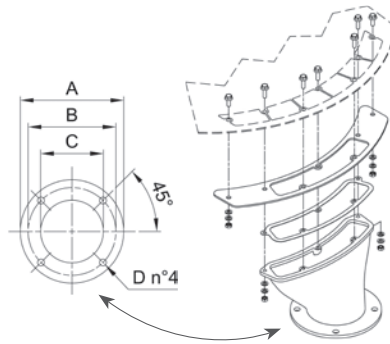
## BAG VERSIONS



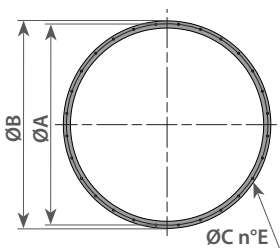
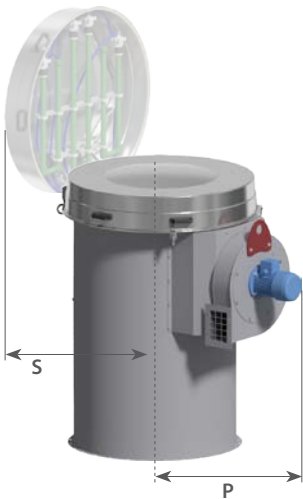
TYPE	DN	ØL	M	N	P	R	S	T	kg	m <sup>2</sup>	kW
-.Y.LA5B16S.A..ZZ.SA	950	1210	1640	630	/	1400	790	2530	132	16	/
-.Y.LA5B21S.A..ZZ.SA	950	1210	2225	630	/	1985	790	3115	170	21	/
WITH FAN											
-.Y.LH5B16S.A..E..SA	950	1210	1640	630	1040	1400	790	2530	168	16	1,5
-.Y.LH5B21S.A..G..SA	950	1210	2225	630	1065	1985	790	3115	212	21	2,2



SKYSAMPLER (OPTIONAL)			
	DN	Mounted to the filter	Delivered unassembled (complete with gasket and bolts)
	950	SKS168E8B	SKS168E8A



DN	A	B	C	D
950	Ø 228	Ø 200	Ø 158	Ø 14



DN	ØA	ØB	ØC	n°E
950	996	1024	11	28



# FILTERING SYSTEMS AND COMPONENTS FOR PLANTS

QUALITY  
SERVICE  
TECHNOLOGY  
INNOVATION

[www.mixitaly.com](http://www.mixitaly.com)



**MIX S.p.A.** - 41032 CAVEZZO (MO) - Via Volturmo, 119/A - ITALY  
Tel. +39 0535.46577 - Fax +39 0535.46580 - [info@mixitaly.com](mailto:info@mixitaly.com)